



CONTAINER COD. 015037

CLOSING SYSTEM

Heat-sealable film

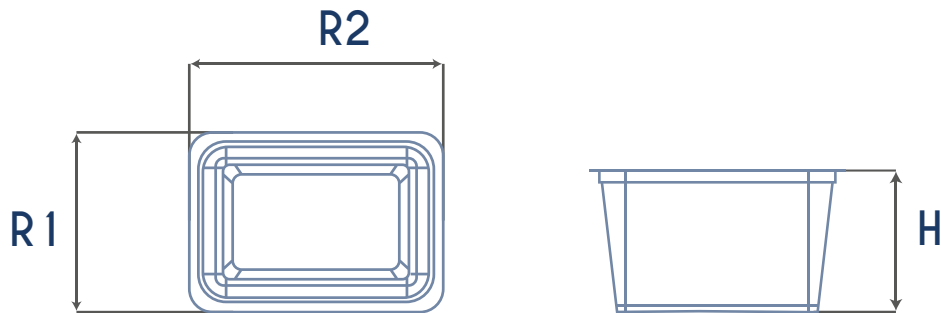
RAW MATERIAL

PP - Polypropylene for food



LABELING:

- IML
- Colored master



R1	R2	H*	ITEM WEIGHT	VOLUME
106,5 mm (+/- 1%)	144,5 mm (+/- 1%)	46,5 mm (+/- 1%)	15 gr (+/- 5%)	0,40 lt (+/-5%)

*height without lid

CARTON BOX	
SIZE	59,2x38,6x55,4h cm
PIECES	858
GROSS WEIGHT*	13 kg

*includes packaging, bag, tape weight

PALLET	
SIZE	80x120x240h cm
TOT. BOX	16
TOT. PIECES	13.728
GROSS WEIGHT*	250 kg

*includes weight of each carton, extendable film, weight of the platform etc.