



CONTAINER COD. 014034

CLOSING SYSTEM

Heat-sealable film

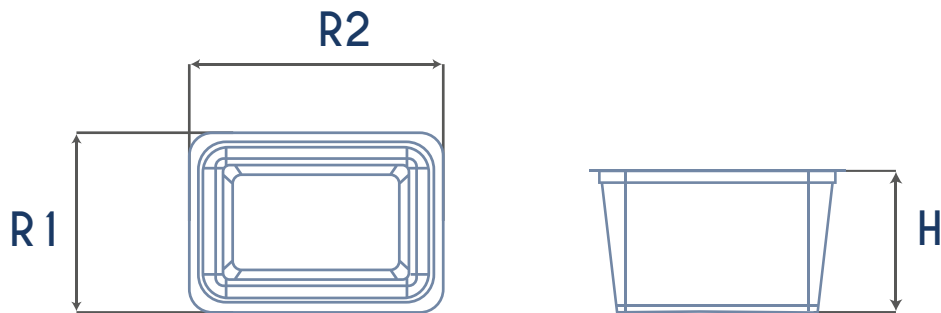
RAW MATERIAL

PP - Polypropylene for food



LABELING:

IML



R1	R2	H*	ITEM WEIGHT	VOLUME
106,0 mm (+/- 1%)	144,0 mm (+/- 1%)	56,0 mm (+/- 1%)	18,5 gr (+/- 5%)	0,50 lt (+/-5%)

*height without lid

CARTON BOX	
SIZE	59,0x38,0x44,6h cm
PIECES	689
GROSS WEIGHT*	13,5 kg

*includes packaging, bag, tape weight

MISURA	80x120x240h cm
TOT. BOX	16
TOT. PIECES	11.024
GROSS WEIGHT*	240 kg

*includes weight of each carton, extendable film, weight of the platform etc.